

2006 WINNEBAGO JOURNEY®

America's #1 Class A Diesel.





THE JOURNEY IS POWERED BY DIESEL, AND DRIVEN BY YOUR ADVENTURE.

The best-selling diesel is back with more features than ever.



39K - Sausalito with Washed Maple

#### DIESEL OR BUST.

Diesel says power. Diesel says drive. Diesel says this isn't a vacation, this is a lifestyle. The 2006 Journey is powered by a 300-hp Cummins® diesel engine with an Allison® transmission (a 350-hp Caterpillar® diesel engine is standard on the 39K and optional on the 34H and 36G). Surrounding the diesel engine is the strong and durable Freightliner® chassis. The advanced suspension system with outbound air spring placement harnesses the Journey's power for touch-sensitive driving and precise handling.

The Journey is as comfortable as it is strong. It comes standard with ceiling-ducted TrueAir® residential central air conditioning to ensure you have complete control over your environment.

On the cover: 39K with full body paint in Mahogany.

There's also a heat pump that takes the chill off a cool morning without turning on the furnace. Plus, the flush-mounted, dual-glazed windows add thermal efficiency in all types of weather. And the day/night pleated shades in the lounge, dinette and bedroom offer variable levels of light and privacy.

Sit back and enjoy everything the Journey has to offer in the J-Lounge shown above in available leather. Or choose our Rest Easy® multi-position lounge, which changes at the touch of a button from a sofa to a recliner with a pullout ottoman. Touch the button again and you have a comfortable bed, which is great when you need additional sleeping quarters.





STEP INTO YOUR OWN PERSONAL HAVEN.

After a fun day of traveling, it's nice to have your own personal space where you can get away from it all.



39K - Sausalito with Washed Maple



#### YOUR PLACE TO REST.

The bedroom is spacious and comfortable, thanks to the standard rear slideout with walk-around queen-sized bed. Underneath the Serta® inner-spring mattress is an underbed compartment (not available on the 39K), and the built-in wardrobe features plenty of storage space. The bedroom windows are strategically placed to provide cross ventilation when you want a breath of fresh air indoors.

Enjoy a movie in the comfort of your bedroom with the 20" flat-face TV (standard on the 36G and 39K), mounted for optimum viewing. A 20" LCD TV is standard on the 32T and 34H. The available DVD/VCR combo in the front of the vehicle is conveniently wired to the bedroom television and, for added convenience, can be controlled using the remote while in the bedroom. Enjoy your favorite tunes as you doze off with the available rear stereo system.

#### THE BED YOU CONTROL.

Sleep tight with the available queen-sized Vantage Point™ Sleep Number® bed by Select Comfort®. Using the digital hand control, you can quickly adjust each side of the mattress to your individualized, ideal level of comfort and support by setting your Sleep Number — Your Key to a Perfect Night's Sleep™.

The bathroom has a spacious feel, thanks to the standard skylight. The linen closet provides plenty of storage and includes a hamper on select models. Other upscale features include a residential-height porcelain toilet, a recessed sink with chrome faucets by Moen®, and an available shower upgrade package that includes a fold-down shower seat and a handheld showerhead. Plus, the Moen Posi-Temp® valve maintains consistent shower temperature, even if water pressure fluctuates.





ON YOUR TRAVELS, PREPARE MEALS LIKE A GOURMET CHEF.

From the spacious countertops to the double-door refrigerator/freezer with wood veneer, the Journey's galley has everything you need for some serious cooking.



#### HOME-COOKED MEALS ON THE ROAD.

The Journey's galley is a great place to prepare meals, so be sure to bring your favorite recipes. And you'll have plenty of prep room, thanks to the spacious solid-surface countertops. Above the countertops sits a 30" residential microwave with sensor cook feature and a vented range hood, which is great when preparing a quick snack or meal. A microwave/convection oven, three-burner range with oven and a four-door refrigerator with icemaker are also available to fill all your cooking needs. Underfoot, the standard low-maintenance vinyl tile floorcovering gives the galley one more luxurious touch.

For added refinement in the galley, choose the stainless steel upgrade package (shown here), which includes stainless steel appliances and an upgraded Moen faucet with pullout sprayer.

The new full-extension drawer slides allow for easy access to all your stored items, and a pantry offers enough storage space to keep you well-stocked for your travels.

The 2006 BenchMark™ full comfort dinette, the perfect place to enjoy your meals, has taller seat backs for added comfort, and the seats flip up for easy access to large storage areas. There's even an anchor for a child's safety seat. Plus, the BenchMark quickly converts into a comfortable bed.

You can skip the Laundromat when you choose the available washer-dryer combo with a large 1.92-cubic foot drum and multiple wash, time and temperature cycles for a wide variety of fabrics.



THE JOURNEY IS AS MUCH FUN PARKED AS IT IS TO DRIVE.

*The Journey offers you a host of seating options.*



36G - Regency with Sierra Maple



#### ENTERTAINMENT IS ALWAYS A GOOD OPTION.

The Journey becomes your own personal theater with the available Home Theater Sound System from Sony,<sup>®</sup> featuring a receiver, amplifier, five speakers and a sub-woofer. Spend the evening enjoying your favorite movie or TV show on the standard front entertainment center with a 24" flat-face stereo TV. The amplified antenna, Video Selection System and available digital satellite dish let you select from network programming, movies or premium channels. A 600-watt inverter powers your entertainment components even when you're not connected to shoreline or generator power (2,000-watt inverter/charger is available).

Settle in and watch the big game on the Rest Easy sofa by Stitchcraft. It converts to a recliner with ottoman or a comfortable bed at the touch of a button. Or curl up with a good book in the Euro Chair with ottoman, shown here (available on the 34H and 36G).



#### CUSTOM FURNITURE FOR A CUSTOMIZED EXPERIENCE.

The custom cab seats designed by Stitchcraft recline, swivel and feature a multiposition armrest. Available upgrades include leather, six-way power assist and a footrest for the passenger seat. In front of the passenger seat, a power stepwell cover closes to create a flat floor when traveling.

The Journey features our SmartSpace<sup>™</sup> design philosophy, which makes the most of interior living areas by maximizing functionality and focusing on user-friendly features. Choose the available dining table and chairs (not available on the 32T), and enjoy a leisurely meal for two or extend the table to seat four and invite the neighbors over.



INNOVATION GUARANTEED.

The Journey is filled with innovative features such as the OnePlace® systems center, which allows you to check vital functions with ease.



#### THE 2006 JOURNEY SIMPLIFIES TRAVELING.

The Journey is filled with features that make life easier. TrueAir controls the interior climate with ease, thanks to residential central air conditioning. Compared to roof airs, TrueAir residential central air conditioning cools 40 percent faster and is 10 percent quieter.

**PowerLine®:** This energy management system monitors onboard electrical usage and turns off "postponable" appliances to minimize the nuisance of tripped campground circuit breakers.

**KeyOne™ System:** A single key that opens most exterior compartments and doors, so you don't have to keep track of a whole slew of keys. The remote conveniently locks and unlocks the entrance door as well as exterior storage compartments.

**TrueLevel™:** Our innovative holding tank monitoring system incorporates Mirus\* detector cells to determine liquid levels from outside the tank, eliminating probes and putting an end to inaccurate tank-level readings.

**Two-Way Radios:** They have up to a five-mile range and can recharge from the coach's house batteries at their built-in charging station.

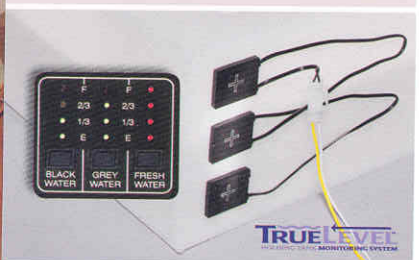
\*Mirus is a trademark of Material Sciences Corporation.

#### YOU CONTROL THE JOURNEY.

Step into the cockpit, where you have precise driving controls at your fingertips, thanks to the SmartWheel™ shown here (not available with five-speed transmission). It's sized for responsive handling and features tilt and telescoping functions. The touch-pad transmission controls and engine exhaust brake are located on the left-side driver's panel for easy operation.

The available powered sunvisors cut unnecessary glare, and the available Audiovox® rearview monitor system can be upgraded with a side-view video camera for added peace of mind while backing up and maneuvering. This feature is activated by the turn signal lever and lets you view the sides of the motor home when making a turn.

The RV Radio® is Sirius® Satellite ready and includes AM/FM stereo; CD player; weather band; and large, easy-to-use buttons and knobs. For added versatility, the RV Radio comes with two remotes — one handheld and one on the steering wheel — for your convenience. Upgrade your RV Radio with the available Sirius Satellite Radio package. Sirius brings you 120 channels of crystal clear programming, and a free six-month subscription (not available in Canada).





WE TAKE PRIDE IN EVERY FEATURE WE OFFER.

The available awning sunscreen provides better sun protection in the patio area, so you can enjoy the outdoors.



### FEATURES, FEATURES AND MORE FEATURES.

With an endless number of features, the Journey makes traveling a joy.

**StoreMore®:** This exclusive slideout system extends the exterior compartments along with the slideroom for easy access to your stored items. An available fold-out aluminum ladder is stored in its own box and is located in an easily accessible area of the StoreMore (not available on the 32T).

It's a perfect example of how we use Smart Storage™ to make storage space more usable.

**Exterior Entertainment Center:** Enjoy your fantastic music under the shade of the awning. The exterior entertainment center includes an AM/FM stereo, CD player with remote, 12-volt DV receptacle, TV jack, 110-volt outlet and speakers.

**Auxiliary Air Connection:** This standard connection is located behind the front hood and provides a ready source of compressed air (air chuck not included) and a detachable 50-foot hose.

**Exterior Service Center:** Includes new, easy-to-read, user-friendly labels located outside the coach and features our QuickPort® service connection hatch. It allows you to close your compartment door when connected to hookups at the campground. And you'll never struggle putting cords through small holes because the hatch is large enough to accommodate hoses and power cords. The QuickConnect® coupling valve on the sewer hose makes for quick and clean mess-free hookups and even has its own storage holster for added convenience.

Thoughtful touches truly make all the difference. Whether it's resolving life's little annoyances or paying attention to the details, the Journey will delight you at every turn.



The Journey's one-piece sidewalls are amazingly tough, as are the hydraulic leveling jacks that keep the coach level and stable when parked. Or, for added convenience, upgrade to automatic leveling jacks. The Journey is available with stylized aluminum wheels, a full-width Winnebago mud guard and our very in-demand available full body paint. The driver's-side mirrors feature a breakaway design for added clearance when storing your unit. Turn signals are incorporated into both mirrors as a courtesy to other drivers.

Standard Graphics



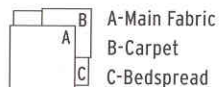
Light Autumnwood Metallic



Spruce Green Metallic



We believe the same high standards we use for construction should apply to interior design. That's why we create efficient floorplans based on customer input, and why we look for durable fabrics in pleasing colors.



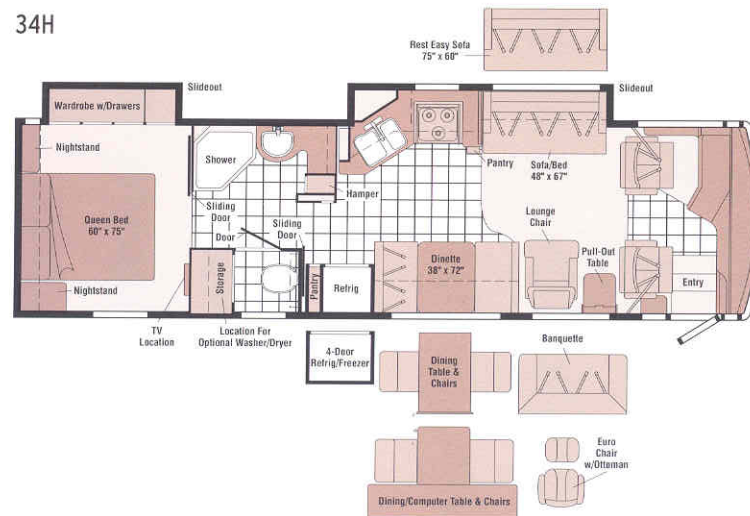
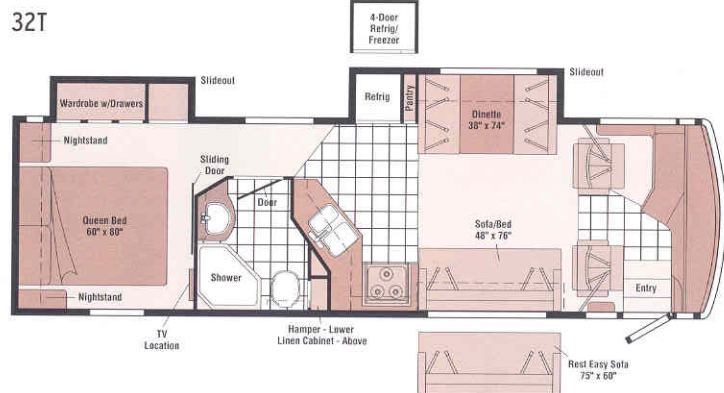
Light Box



Regency



Sausalito



Note: Dimensions shown are for sleeping space only and may vary due to styling differences.



Full Body Paint



Crystal Blue



Khaki



Mahogany



Concert Cherry



Portsmouth Oak



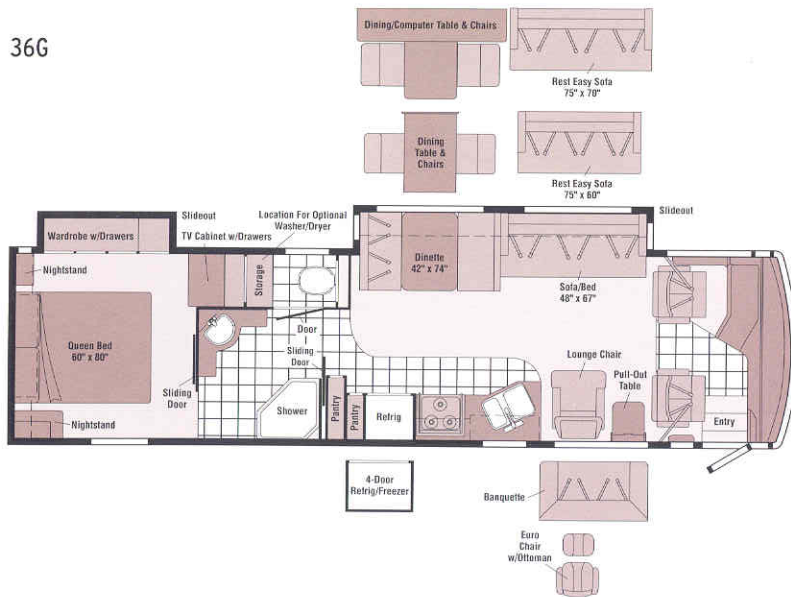
Sierra Maple



Washed Maple

We handcraft our own cabinets using traditional panel-and-rail construction. Old-world craftsmanship along with the latest technologies such as catalyzed finishes, create beautiful and durable high-quality cabinetry. The cabinets are anchored to steel plates embedded in the sidewalls, not merely screwed into wood or foam.

36G



39K





# 2006 JOURNEY SPECIFICATIONS

	32T	34H	36G	39K
<b>Length</b>	32'8"	34'11"	36'6"	39'6"
<b>Exterior Height<sup>a</sup></b>	11'7"	11'6"	11'8"	11'7"
<b>Exterior Width<sup>b</sup></b>	8'5.5"	8'5.5"	8'5.5"	8'5.5"
<b>Exterior Storage<sup>c</sup> (cu. ft.)</b>	81.3	89.6	121.9	98.7
<b>Interior Height</b>	6'8"	6'8"	6'8"	6'8"
<b>Interior Width</b>	8'5"	8'5"	8'5"	8'5"
<b>Freshwater Capacity w/Heater<sup>d</sup> (gal.)</b>	92	92	92	92
<b>Holding Tank Capacity<sup>d</sup> - Black/Gray (gal.)</b>	62 / 52	62 / 54	54 / 55	54 / 55
<b>LP Capacity<sup>e</sup> (gal.)</b>	31	31	31	31
<b>Fuel Capacity (gal.)</b>	90	90	90	90
<b>GCWR<sup>f</sup> (lbs.)</b>	33,000 / 37,910*	33,000 / 37,910*	33,000 / 37,910*	39,410
<b>GVWR (lbs.)</b>	27,910 / 27,910*	27,910 / 27,910*	27,910 / 27,910*	29,410
<b>GAWR - Front (lbs.)</b>	10,410 / 10,410*	10,410 / 10,410*	10,410 / 10,410*	10,410
<b>GAWR - Rear (lbs.)</b>	17,500 / 17,500*	17,500 / 17,500*	17,500 / 17,500*	19,000
<b>Wheelbase</b>	190"	208"	228"	262"

\*Optional Freightliner Chassis w/6-speed transmission

Standard - S Optional - 0

32T 34H 36G 39K

## AUTOMOTIVE/CHASSIS

	S	S	S	S
<b>Chassis</b> - Freightliner, Cummins ISB 5.9L turbo-charged diesel, 300-hp, rear radiator, Allison 5-speed electronic 2500 MH transmission, NeWay® front & rear air suspension, 160-amp. alternator, exhaust brake, 4-wheel ABS, <b>Wheel Liners</b> stainless steel	S	S	S	S
<b>Chassis</b> - Freightliner, Caterpillar 7.2L turbo-charged diesel, 350-hp, rear radiator, Allison 6-speed electronic 3000 MH transmission, NeWay front & rear air suspension, 160-amp. alternator, exhaust brake, 4-wheel ABS, SmartWheel steering wheel, <b>Wheels</b> stylized aluminum	0	0	0	S
<b>Chassis</b> - Freightliner, Cummins ISB 5.9L, 300-hp, rear radiator, Allison 6-speed electronic 3000 MH transmission, NeWay front & rear air suspension, 160-amp. alternator, exhaust brake, 4-wheel ABS, SmartWheel steering wheel, <b>Wheels</b> stylized aluminum	0			
<b>Air Accessory Manifold</b> quick connect, 50" air hose, pressure gauge, manual air shutoff, <b>Leveling Jacks</b> HWH® hydraulic, manual control, <b>Tire Tools</b> wrench & leverage bar, <b>Trailer Hitch</b> 10,000-lb. drawbar/5000 lbs. maximum vertical tongue weight & 7-pin wiring	S	S	S	S
<b>Leveling Jacks</b> HWH hydraulic, automatic	0	0	0	0

## CAB AREA & CONVENIENCES

	S	S	S	S
<b>Cab Seats</b> (fabric) armrests, lumbar support, multiadj. slide/recline & swivel, <b>Compass</b> electronic w/outdoor thermometer, <b>Console Center Cabinet</b> , <b>Cruise Control</b> , <b>Exhaust Brake Switch</b> , <b>Floor Mat</b> (driver) carpet, <b>Map Lights</b> , <b>Power Door</b> locks w/ keyless entry, <b>Powerpoints</b> 12-volt DC, <b>Shades</b> light-filtering, cab windows, <b>Steering Wheel</b> tilt 4 telescope w/power-assist, SmartWheel (6-speed transmission only), <b>Sunvisors</b> , <b>Window</b> (driver) full slider w/screen, dual-glazed/thermo-insulated, <b>Window</b> (passenger) partial slider w/screen, dual-glazed/thermo-insulated, <b>Windshield Wipers</b> intermittent, pantograph arms	S	S	S	S
<b>Cab Seat</b> 6-way power-assist (driver), <b>Cab Seats</b> 6-way power-assist (driver & passenger avail. w/footrest), <b>Cab Seats</b> (leather) w/vinyl surround, <b>Cab Seat</b> passenger seat w/footrest, <b>Defroster Fans</b> aux. 2-speed w/instrument panel switch, <b>GPS Navigation System</b> , <b>Monitor System</b> rearview b/w w/single camera & one-way audio, Audiovox, <b>Sunvisors</b> powered, <b>Trip Computer</b> TripTek™ <b>Video Camera System</b> side-mounted cameras	0	0	0	0

Standard - S Optional - 0

32T 34H 36G 39K

## ENTERTAINMENT

	S	S	S	S
<b>CB Prep</b> includes antenna, antenna lead, 12-volt DC power supply, <b>Entertainment Center</b> (exterior) w/CD player, DC receptacle, AC duplex receptacle, AM/FM radio w/remote, TV jack, radio antenna, speakers, lockable compartment, <b>Home Theater Sound System</b> amplifier, DVD/VCR combo, receiver, speakers (5), sub-woofer, Sony, <b>RV Radio</b> (cab) AM/FM/Stereo/CD, satellite ready, weather band, remotes, roof-mounted flexible rubber antenna, speakers (4), Sirius Satellite ready, <b>Radio Power Switch</b> main/aux. battery, <b>Satellite System Ready</b> , <b>Telephone</b> input & interior jacks, <b>TV 20" Color AC</b> flat-face (LCD flat-face 32T, 34H), stereo w/remote, remote extenders, rear, <b>TV Enhancement Package</b> antenna (amplified), interior jack(s), coax wiring, cable input, exterior jack, reminder light, <b>Video Selection System</b>	S	S	S	S
<b>CB Cobra® Compact Multidisc Changer</b> w/remote, <b>Radios (4)</b> 2-way, <b>Satellite Dish Antenna</b> RV digital, manual, elevation sensing unit, <b>Satellite Dish Antenna</b> RV digital, automatic, <b>Satellite Radio</b> Sirius, includes a six-month, prepaid subscription, (N/A in Canada), <b>Satellite Dish</b> RV digital, in-motion, King-Dome® <b>Stereo System</b> rear, AM/FM/CD player, alarm clock	0	0	0	0
<b>TV 24" Color AC</b> w/remote, front	S	S	S	S

## INTERIOR

	S	S	S	S
<b>Ceiling</b> vinyl, <b>Shade</b> front wraparound, pleated w/wands, <b>Lights</b> ceiling w/wall switches, incandescent bath and bedroom, <b>Light</b> decorative dinette, <b>Lights</b> fluorescent lights, recessed, galley, dinette, bath, hallway, lounge wall switches, <b>Lights</b> reading, aux., <b>Mini Blinds</b> galley & bath area, <b>Shades</b> pleated, day/night w/blackout, lounge, dinette, & bedroom areas, <b>Sliding Stepwell Cover Panel</b> powered, <b>Windows</b> dual-glazed/thermo-insulated, flush-mounted	S	S	S	S
<b>Mirror</b>		S	S	S
<b>Pictures (2)</b> framed	S	S		

## CABINERY

	0	0	0	0
<b>Portsmouth Oak</b> or <b>Concert Cherry</b> or <b>Washed Maple</b> or <b>Sierra Maple</b> stile-and-rail construction w/raised-panel inserts on cabinet doors	0	0	0	0

## COUNTERTOPS

	S	S	S	S
<b>Solid-Surface</b> galley & bath	S	S	S	S

## FLOORCOVERING

	S	S	S	S
<b>Carpeting</b> w/pad, <b>Vinyl Tile</b> galley, bath, cab	S	S	S	S

## FURNITURE

	S	S	S	S
<b>BenchMark</b> (fabric) full comfort dinette w/access to storage below, child-seat tether anchor	S	S	S	S
<b>Banquette</b> (fabric) w/throw pillows, access to storage below	0	0		
<b>Banquette</b> (leather) w/throw pillows, access to storage below	0	0		
<b>Chair Lounge</b> (fabric) hoop-base, recline/rocker/swivel/slide w/footrest, cabinet w/table	S	S		
<b>Chair Lounge</b> (leather) hoop-base, recline/rocker/swivel/slide w/footrest, cabinet w/table	0	0		
<b>Chair Lounge</b> (leather) Euro recliner w/ottoman, cabinet, Flexsteel®	0	0		
<b>Dining Table &amp; Chairs (2)</b> freestanding, (2) folding, extendable table	0	0	0	
<b>Dining/Computer Table &amp; Chairs (2)</b> freestanding, (2) folding, legless table	0	0	0	
<b>J-Lounge</b> (fabric) access to storage below, throw pillows				0
<b>J-Lounge</b> (leather) access to storage below, throw pillows				0
<b>Rest Easy</b> (75" x 60"/fabric) multi-position lounge, throw pillows & fold-down armrest w/beverage holder	0	0		0
<b>Rest Easy</b> (75" x 70"/fabric or leather) multi-position lounge, throw pillows, dual trundles, fold-down armrest w/beverage holder			0	
<b>Rest Easy</b> (75" x 60"/fabric) multi-position lounge w/dual recliners, dual trundles, <b>Rest Easy</b> (75" x 60"/leather) multi-position lounge, <b>Rest Easy</b> (75" x 60"/leather) multi-position lounge w/dual recliners, dual trundles	0	0	0	0
<b>Sofa</b> (48" x 76" fabric) footrests, access to storage below, throw pillows	S			
<b>Sofa</b> (48" x 67" fabric) footrests, access to storage below, throw pillows		S	S	



# 2006 JOURNEY SPECIFICATIONS

Standard - S	Optional - O	32T	34H	36G	39K
<b>Sofa</b> (48" x 74" fabric) footrests, access to storage below, throw pillows					
<b>GALLEY</b>					
<b>Faucet</b> single-control, Moen, <b>Galley Cabinet</b> , <b>Light</b> fluorescent, under cabinet, <b>Microwave Oven w/Range Fan</b> exterior vent, residential 30," Sharp, <b>Pantry Range Cover</b> , <b>Range Top</b> 3-burner w/storage below, recessed, sealed burners, Amana, <b>Refrigerator/Freezer</b> large double-door, Norcold, <b>Roof Vent</b> powered ventilator fan, insulated, <b>Silverware Tray</b> , <b>Sink</b> double, molded w/sink covers (countertop material), <b>Wastepaper Basket</b> , <b>Water Purification System</b> Everpure®					
<b>Appliance Storage Cabinet</b> , <b>Mirror</b> , <b>Spice Rack</b>					
<b>Countertop Extension</b> flip-up					
<b>Cutting Board</b> slideout					
<b>Island/Storage Cabinet</b>					
<b>Microwave/Convection Oven</b> w/range fan, residential 30," Sharp, <b>Range</b> 3-burner w/large oven, glass door w/storage below, recessed, sealed burners, Amana, <b>Refrigerator/Freezer</b> large double-door w/ice maker, Norcold, <b>Refrigerator/Freezer</b> 4-door w/ice maker, Norcold					
<b>Stainless Steel Package</b> w/stainless steel appliances, galley faucet single control w/sprayer					
<b>Utility Tray</b> tip-out					
<b>Wall Border</b>					
<b>BATH</b>					
<b>Cabinet</b> lavatory, <b>Cabinet</b> linen, <b>Faucet</b> (lavatory) single-control, <b>Faucet</b> (shower) single-control w/fixed showerhead w/Moen Posi-Temp, <b>Light</b> shower, <b>Lights</b> makeup, <b>Roof Vent</b> powered ventilator fan, insulated, wall switch, private toilet room, <b>Shower</b> w/wall surround, <b>Shower Door</b> textured glass, <b>Sink</b> oval, <b>Toilet</b> porcelain w/foot-pedal flush					
<b>Shower Package</b> fold-down shower seat, handheld showerhead w/water shut-off valve					
<b>Hamper</b> tip-out					
<b>Medicine Cabinet</b>					
<b>Wall Border</b>					
<b>BEDROOM</b>					
<b>Bed</b> queen, Serta, innerspring w/underbed storage (N/A 39K), bedspread, pillows, throw pillow, headboard, <b>Light</b> decorative wall lamp, <b>Lights</b> reading, <b>Mirror</b> , <b>Nightstand(s)</b> , <b>Powerpoint</b> 12-volt DC receptacle, <b>Wall Border</b> , <b>Wardrobe Cabinet</b> carpeted floor, clothes rod, drawers, light, mirrored door					
<b>Sleep Number</b> queen-sized mattress by Select Comfort					
<b>Chest of Drawers</b>					
<b>Fan</b> ceiling					
<b>Lavatory Faucet</b> sink (oval), mirror, decorative wall lamps					
<b>EXTERIOR</b>					
<b>Awning Rails</b> w/rain gutters, <b>Door</b> entrance w/separate movable screen door, deadbolt lock, keyless entry, <b>Entrance Door Step</b> single, electric w/doorjamb switch, <b>Ladder</b> , <b>Lights</b> fog lamps, <b>Light</b> porch, <b>Light</b> under hood, <b>Light</b> service, driver side, <b>Locking Fuel-Fill Door</b> , <b>Mirrors</b> chrome, electric remote w/defrost, turn signal, <b>Mudflaps (2)</b> rear, <b>Receptacle</b> AC duplex, <b>Sidewall Skin</b> one-piece smooth fiberglass, high-gloss, <b>Storage Compartments</b> smooth valance panels, trunk liner, gas cylinders, TriMark® KeyOne System, paddle latch, lights					
<b>Air Horns</b> roof-mounted, <b>Awnings</b> windows w/full body paint only, <b>Full Body Paint</b> Mahogany, Khaki, Crystal Blue, <b>Graphics Packages</b> (N/A 39K) Lt. Autumnwood Metallic, Spruce Green Metallic					

	32T	34H	36G	39K
<b>Front Exterior Protective Mask</b> w/full body paint only, <b>Mud Guard</b> full-width, rear, <b>Sunscreen</b> patio (requires electric awning package), <b>Undercoating</b>	0	0	0	0
<b>Awning</b> entrance door & patio, manual	S	S	S	
<b>Awning Package</b> electric, entry & patio w/wind sensor & remote, required w/full body paint	0	0	0	S
<b>Compartment Tray(s)</b> slideout	0	0	0	
<b>Ladder</b> folding, step, StoreMore storage compartment		0	0	0

## SYSTEMS

	32T	34H	36G	39K
<b>Automotive Heater/AC</b> , <b>Aux. Start Circuit</b> , <b>Batteries (2)</b> (coach) deep-cycle, <b>Battery</b> (chassis) disconnect system, <b>Battery Charge Control</b> automatic dual, <b>Drain</b> 1-1/2" water tank, <b>Electrical Distribution System</b> AC & DC breaker panels, <b>Electrical System Display Center</b> , <b>Generator</b> 7,500-watt, Onan® Quiet Diesel™, <b>Generator/Shoreline Automatic Changeover Switch</b> , <b>Inverter</b> DC/AC, 600-watt, <b>OnePlace</b> systems center, wall-mounted, courtesy light, battery digital voltmeter, PowerLine energy management display, generator hourmeter gauge, generator start/stop switch, heating and A/C thermostat, holding tank levels, LP tank level, solar panel/battery charger light, water heater switch, water heater on light & pilot indicator light, water pump switch, water tank level, <b>Power Cord</b> 50-amp., PowerLine energy management system, <b>Service Center</b> (drainage) drainage valves, holding tank flushing system, 10' sewer hose w/QuickConnect coupling valve, QuickPort service connection hatch, <b>Service Center</b> (electrical/water) cable inputs, city water diverter fill, drain for freshwater system, exterior wash station w/pump switch, paper towel holder, power cord, QuickPort service connection hatch, shoreline/generator automatic changeover switch, telephone input, portable satellite hookup, <b>Solar Panel</b> 10-watt battery charger, <b>Tank</b> flushing system, black tank only, <b>Tank</b> holding, heated compartment, <b>Tank LP</b> , permanent mount w/gauge, <b>TrueAir</b> residential central A/C w/heat pump, <b>TrueLevel</b> holding tank monitoring system, <b>Water Heater</b> 10-gal. electronic ignition, LP gas/120V w/motoraid, <b>Water Hookup</b> city, <b>Water Pump</b> demand, permanent magnet motor w/diaphragm, <b>Water Tank Fill</b> pressurized city hookup w/diverter valve, <b>Water Tank Fill</b> w/locking door compartment, <b>Water System Winterization Package</b> water heater bypass valve & siphon tube	S	S	S	S
<b>Furnace</b> 35,000 BTU	S			
<b>Furnace</b> 40,000 BTU, <b>Washer/Dryer Prep</b>		S	S	S
<b>Inverter/Charger</b> DC/AC, 2,000-watt w/remote panel	0	0	0	0
<b>Washer-Dryer Combination</b>		0	0	0
<b>SLIDEOUTS</b>				
<b>Slideout Room</b> bed w/slideroom cover				S
<b>Slideout Room</b> lounge/galley w/slideroom cover, StoreMore				S
<b>Slideout Room</b> sofa/dinette w/slideroom cover, StoreMore			S	S
<b>Slideout Room</b> sofa/galley w/slideroom cover, StoreMore		S		
<b>Slideout Room</b> refrigerator/dinette w/slideroom cover, StoreMore	S			
<b>Slideout Room</b> wardrobe w/slideroom cover	S	S	S	

## SAFETY

<b>Assist Bar(s)</b> interior, <b>Assist Handle</b> exterior, <b>Bumpers</b> front & rear, <b>Child-Seat Tether Anchor</b> , <b>Detectors/Alarms</b> LP leak, smoke, carbon monoxide, <b>Fire Extinguisher</b> 10 BC, <b>Ground Fault Interrupter</b> , <b>Light</b> high-mount brakelamp, <b>Light(s)</b> courtesy w/wall switch(es), <b>Seat Belts</b> cab, 3-point, <b>Seat Belts</b> lap (in selected areas), <b>Window</b> escape, <b>Windshield</b> laminated safety glass	S	S	S	S
<b>Lights</b> daytime running		S	S	S

## WARRANTY<sup>g</sup>

<b>12-month/15,000-mile basic limited warranty<sup>h</sup></b> <b>36-month/36,000-mile warranty on structure<sup>h</sup></b> <b>10-year limited parts &amp; labor warranty on roof skin<sup>h</sup></b>	S	S	S	S
---	---	---	---	---

a The height of each model is measured to the top of the tallest standard feature and is based on the curb weight of a typically equipped unit. The actual height of your vehicle may vary by several inches depending on chassis or equipment variations. Please contact your dealer for further information.  
 b Journey floorplans feature a wide-body design — over 96" in making your purchase decision, you should be aware that some states restrict access on some or all state roads to 96" in body width. Before making your purchase decision, you should confirm the road usage laws in the states of interest to you.  
 c The load capacity of your motor home is designated by weight, not by volume, so you cannot necessarily use all available space when loading your motor home.  
 d Capacities are based on measurements prior to tank installation. Slight capacity variations can result due to installation applications.  
 e Capacities shown are tank manufacturer's listed water capacity (W.C.). Actual filled LP capacity is 80% of listing due to overfilling prevention device on tank.

f Actual towing capacity is dependent on your particular loading and towing circumstances, which includes the GVWR, GAWR and GCWR as well as adequate trailer brakes. Please refer to the Operator's Manual of your vehicle for further towing information.  
 g See separate chassis warranty details provided in owner's packet.  
 h See your dealer for complete warranty information.  
 Not all items available in combination. See dealer for details.  
 Winnebago Industries' continuing program of product improvement makes specifications, equipment, model availability and prices subject to change without notice. Comparisons to other motor homes are based on the most recent information available.



NOT ALL MOTOR HOMES ARE CREATED EQUAL. As you take a closer look, you'll see that there is much more to the Winnebago Journey than a long list of standard features and compelling floorplans. Beneath it all you'll find a SuperStructure® foundation of strength and durability, and Winnebago Industries' recognized service and warranty support.



We are committed to service. We back our motor homes with the best after-the-sale service in the industry. This includes a 12-month/15,000-mile basic limited warranty; 36-month/36,000-mile warranty on structure; standard 10-year limited parts-and-labor roof skin warranty; and complimentary 24-hour Roadside Assistance Program. TripSaver Fast Track Parts guarantees that in-stock warranty parts ship directly to your dealer within 24 hours. Winnebago Industries has a nationwide dealer service network.



Certified quality. Recreation Vehicle Dealer Association members annually rate RV manufacturers on the quality of their products, and on their sales and service support. Winnebago Industries has achieved the coveted Quality Circle Award every year since its inception, the only RV manufacturer to do so.



Warning: Joining WIT has been known to cause excessive fun. Winnebago-Itasca Travelers (WIT) is a club for owners of Winnebago Industries motor homes. WIT is a great way to meet people and offers you caravans and rallies, local and state group activities, and other benefits for RVers.

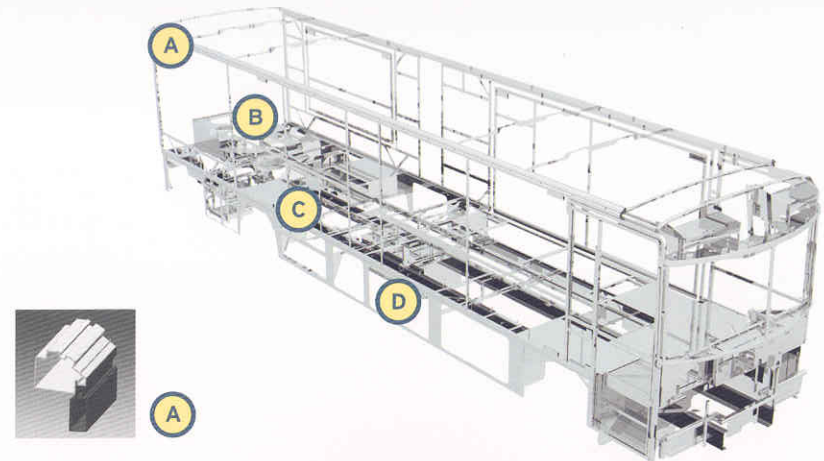


Seat belts are your most important hookup. Always buckle up.

NYSE listing: WGO

Visit [www.winnebagoind.com](http://www.winnebagoind.com) for virtual product tours and the latest product updates.

©2005 Winnebago Industries Inc., Forest City, IA 50436. Printed in USA.



SUPERSTRUCTURE is the term given to Winnebago Industries' structural motor home design and construction. Rather than a single component, it is the culmination of design integration that incorporates steel and aluminum substructures; composite-design laminated floor risers; interlocking joint technology; and Thermo-Panel® floor, roof and sidewalls to form a high-strength, durable vehicle body.

Thermo-Panel manufacturing combines a durable aluminum exterior panel with welded aluminum support substructures. The substructures are embedded in a high-density, block-foam insulation core to create a strong, durable, yet lightweight sidewall. Just another Winnebago Industries invention.

- A** Interlocking joint construction utilizes advanced extruded aluminum structural components to create integrated floor-to-sidewall and sidewall-to-roof joints. This design effectively distributes the weight of the walls and roof, making a stronger and more durable body than competitor designs that rely on screws to carry the weight.
- B** The foundation substructure assembly is precision-aligned to maximize strength and cross-coach support as well as durability.
- C** Laminated risers feature a welded aluminum core for improved strength and provide a stable base for the floor structure and storage compartments.
- D** Critical steel components are treated using an advanced electrodeposition coating process that provides superior corrosion protection.

One-year-old Winnebago Industries' fiberglass roof



One-year-old competitor's rubber roof



**BUILT TO A HIGHER STANDARD.**

The Journey features a crowned, one-piece fiberglass roof skin backed with a 10-year limited parts-and-labor roof skin warranty. Fiberglass offers superior strength, attractiveness and durability compared to rubber roofs found on many competitive models. Over time, rubber roofs are susceptible to chalking, streaking and degradation, and have less puncture and tear resistance than fiberglass.